



Job: _____

Item No. _____

DESIGNED FOR HIGHER VOLUME APPLICATIONS

Seven – 4 oz. Servings per Minute – 20 Quart Capacity

GREAT FOR RESTAURANTS, BUFFETS, & ICE CREAM SHOPS

The **SaniServ** model 404 Soft Serve Freezer provides the highest volume of frozen product in a countertop design in the **SaniServ** product lineup. The high production and quick recovery time of the 404 insures customers are always supplied with their favorite frozen treats and the ease of operation always makes the 404 a favorite among high volume owners and operators!

SPACE SAVING

Small Footprint Design - SaniServ model 404 saves valuable floor space and turns the countertop into a real profit center by serving a high volume of high profit ice cream and yogurt products.

EASY CLEANING AND OPERATION

Fewer Parts = Simplified Cleaning – SaniServ equipment is designed and built with the fewest parts to be disassembled, cleaned and sanitized than any other machine in the industry. The state of the art solid-state **AccuFreeze** control insures product consistency, worry-free operation and customer satisfaction.

HIGH RETURN ON INVESTMENT

Increased Profits – SaniServ machines combine efficiency with consistent product quality and fast, quiet operation while insuring customer satisfaction with high profit ice cream or yogurt products.

QUALITY DESIGN

Durability – SaniServ machines are built to achieve long and dependable life through simplicity of design. Every machine is shipped standard with a stainless steel exterior, durable steel interior frame construction, heavy-duty components and consistency systems.

Model 404

Counter Model

Soft Serve

Ice Cream / Yogurt Machine
With **AccuFreeze** Control

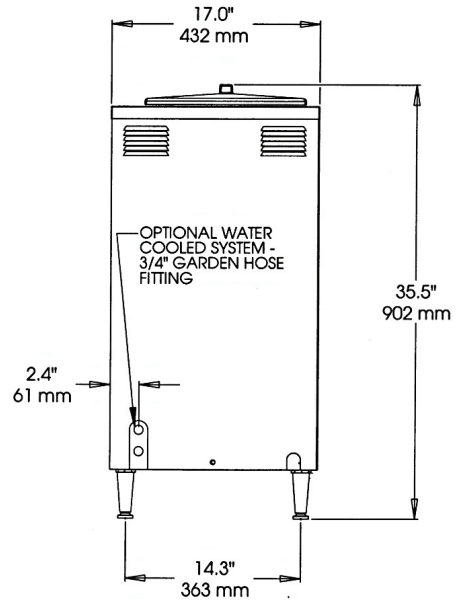
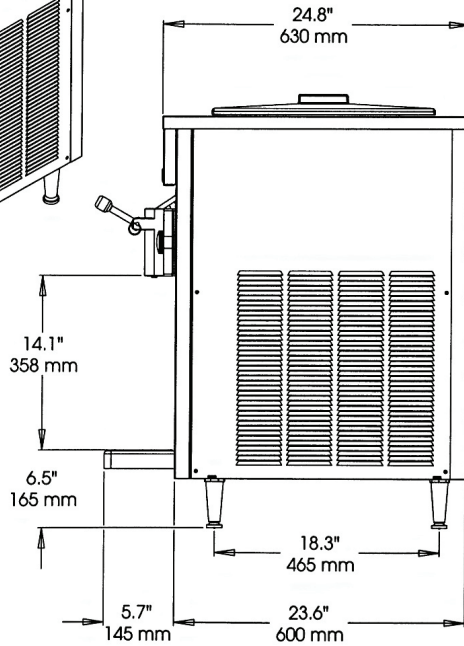
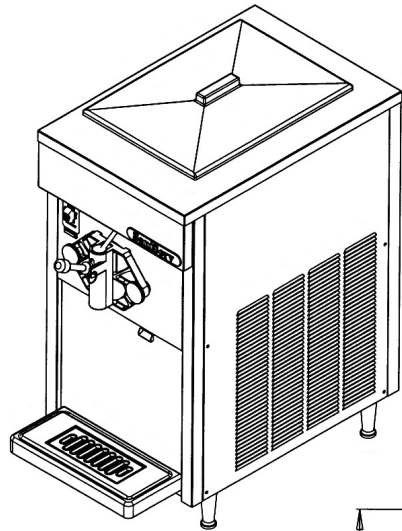


Made in USA

We reserve the right to change specifications and product designs without notice. Such revisions do not entitle the buyer to corresponding changes, improvements, additions or replacements for previously purchased equipment.

MODEL 404

Counter Model Soft Serve/Yogurt Freezer



Minimum Wall Clearance
Both Sides and Back -
6 inches (152 mm)

ELECTRICAL				WIDTH	HEIGHT	DEPTH	WEIGHT	VOLUME
VOLTS	Hz	Ph.	Amps	INCHES (MM)	INCHES (MM)	INCHES (MM)	LBS. (Kg)	CU FT. (cu. m.)
208-230	60	1	30	17 (432)	35.5 (902)	24.8 (630)	250 (113)	
208-230	60	3	20					
Shipping Specifications				22.5 (572)	41 (1042)	34.5 (876)	285 (130)	18.5 (.53)

Specifications:

Cooling System:
Air or Water

Dasher and Compressor Motors:
1 HP Dasher
2 HP Compressor

Refrigerant Type:
R404A

Listings:
UL, cUL, NSF

Features:

Evaporator and Mix Reservoir Capacity:
20 Quarts (18.9 liters)

Dasher:
Heavy-Duty Stainless Steel with low friction scraper blades.

Controls:
AccuFreeze solid-state control for accurate product consistency.

Tamper Proof Visual Mix Out System With Compressor Lockout

Warranty:

Parts 1 year
Compressor 5 years
Evaporator 5 years

Options:

Drink Spinner
Tune Up Kit
Parts Tray
Syrup Rail
Counter Top Mounting Pad Machine Stand
Water Cooled - 3/4" Garden Hose Fitting
Wash Out Kit - 3/8" Flare Fitting