



Job: \_\_\_\_\_

Item No. \_\_\_\_\_

## DESIGNED FOR HIGHER VOLUME APPLICATIONS

Seven – 4 oz. Servings per Minute per side and 20 Quart Capacity per side

GREAT FOR RESTAURANTS, BUFFETS, & ICE CREAM SHOPS

The **SaniServ**® model 424 Twin Flavor Soft Serve Freezer can provide not one but two favorite high profit, consistent quality soft serve and yogurt products in a dual barrel design! The ease of the model 424's operation and product versatility is a favorite among owners and operators. The high production, capacity and recovery time insures the 424 is a perfect piece of equipment for satisfying enough of any two customer favorite frozen treats at any time!

### NEW SCROLL COMPRESSOR

Provides the **SaniServ**® Model 424 with quieter operation. It is 20% more efficient. Increased durability, with 50% longer service life.

### HEAVY DUTY

**Traditional Floor Model Design - SaniServ**® model 424 provides a high volume of two flavors of soft serve and frozen yogurt products in the traditional floor model design.

### EASY CLEANING AND OPERATION

**Fewer Parts = Simplified Cleaning – SaniServ**® equipment is designed and built with the fewest parts to be disassembled, cleaned and sanitized than any other machine in the industry. The state of the art solid-state **AccuFreeze**™ control insures product consistency, worry free operation and customer satisfaction.

### HIGH RETURN ON INVESTMENT

**Increased Profits – SaniServ**® machines combine efficiency with consistent product quality and fast, quiet operation while insuring customer satisfaction with high profit ice cream or yogurt products.

### QUALITY DESIGN

**Durability – SaniServ**® machines are built to achieve long and dependable life through simplicity of design. Every machine is shipped standard with a stainless steel exterior, durable steel interior frame construction, heavy-duty components and consistency systems.

# Model 424

Floor Model  
**Twin Soft Serve**  
**Ice Cream / Yogurt Machine**  
**With AccuFreeze™ Control**



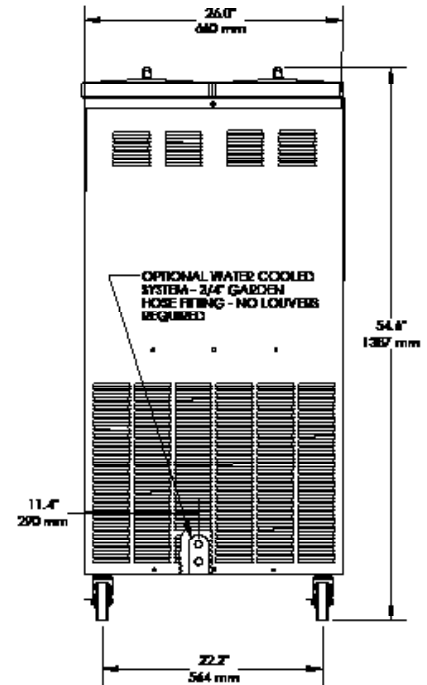
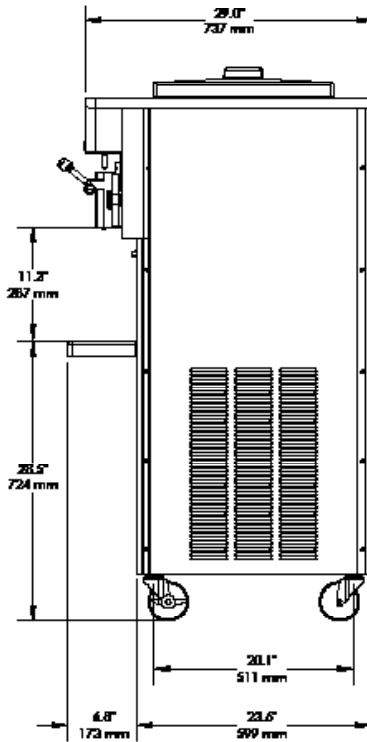
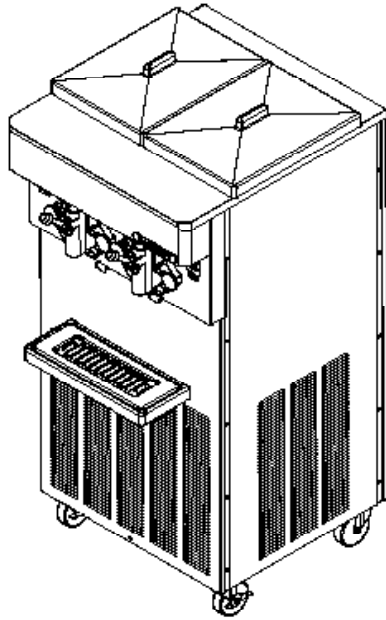
Made in USA

We reserve the right to change specifications and product designs without notice. Such revisions do not entitle the buyer to corresponding changes, improvements, additions or replacements for previously purchased equipment.

451 E. County Line Rd. • P.O. Box 1089 • Mooresville, IN 46158  
Toll Free 800-733-8073 • Local 317-831-7030 • Fax 317-831-7036  
[www.saniserv.com](http://www.saniserv.com)

# MODEL 424

## Floor Model Twin Soft Serve/Yogurt Freezer



Minimum Wall Clearance  
Both Sides and Back -  
6 inches (152 mm)

ELECTRICAL				WIDTH	HEIGHT	DEPTH	WEIGHT	VOLUME
VOLTS	Hz	Ph.	Amps	INCHES (MM)	INCHES (MM)	INCHES (MM)	LBS. (Kg)	CU FT. (cu. m.)
208-230	60	1	2x30*	26 (660)	54.6 (1387)	28 (711)	575 (261)	
208-230	60	3	2x20*					
Shipping Specifications				37 (940)	60 (1524)	41 (1024)	650 (296)	52.7 (1.49)

\* 2 circuits required

### Specifications:

**Cooling System:**  
Air or Water

**Dasher and Compressor Motors:**  
(2) 1 HP Dasher  
(2) 2 HP Scroll Compressor

**Refrigerant Type:**  
R404A

**Listings:**  
UL, cUL, NSF

### Features:

**Evaporator and Mix Reservoir Capacity:**  
20 Quarts (18.9 liters)

**Dasher:**  
Heavy-Duty Stainless Steel with low friction scraper blades.

**Controls:**  
**AccuFreeze™** solid-state control for accurate product consistency.

**Solid State Audio/Visual Mix Out System with Compressor Lockout**

### Warranty:

Parts 1 year  
Compressor 5 years  
Evaporator 5 years

### Options:

Tune Up Kit  
Parts Tray  
Syrup Rail  
Water Cooled - 3/4" Garden Hose Fitting  
Wash Out Kit - 3/8" Flare Fitting  
Export Voltages

451 E. County Line Rd. • P.O. Box 1089 • Mooresville, IN 46158  
Toll Free 800-733-8073 • Local 317-831-7030 • Fax 317-831-7036

www.saniserv.com

REV 07-2015