



WDM120TX



Heavy-Duty, Single-Spindle Drink Mixer with Timer

Item # _____
 Model # _____
 Name _____
 SIS _____
 AIA _____



MAIN FEATURES

- Independent, high-performance, 1 peak HP motor is user-replaceable for continued operation
- Includes thermal protection to prolong motor life
- Electronic, 3-speed and pulse controls maintain speed under load for optimal performance – 15,000 / 18,000 / 21,000 RPM
- Fully enclosed actuators prevent mix from entering the housing
- Each unit includes 2 agitators for each spindle: One solid agitator for mixing hard ice creams and aerating for increased yield, and one butterfly agitator for softer ice creams and mix-ins
- Increased cup clearance: Slide cups into position without tilt
- Fully automatic, cup-activated, one-handed START/STOP operation
- 10-minute timer
- Heavy-duty, powder-coated die-cast steel housing
- Stainless steel malt beverage cup included
- Limited One Year Warranty

ELECTRICAL

Voltage: 120
 Frequency: 60Hz
 Watts: 375
 Amps: 1.15
 Plug Type: NEMA 5-15P
 Cord Length: 5 feet



SALES FEATURES

Enjoy hands-free operation and consistent results with the Waring® WDM120TX Heavy-Duty Single-Spindle Drink Mixer with Timer. Make classic milkshakes and malts your customers will love. Power through the coldest, hardest ice cream with ease, thanks to a 1 peak HP, high-performance motor. A large, easy-to-read LCD display lets you program the timer before or during use to maximize efficiency.

Heavy-Duty, Single-Spindle Drink Mixer with Timer

WDM120TX



@waringcommercial

©2019 Waring Commercial
 314 Ella T. Grasso Avenue, Torrington, CT 06790
 Tel. 800-492-7464 • Fax 860-496-9008

waringcommercialproducts.com



PARTS & ACCESSORIES



CAC20 Stainless Steel Malt Cup

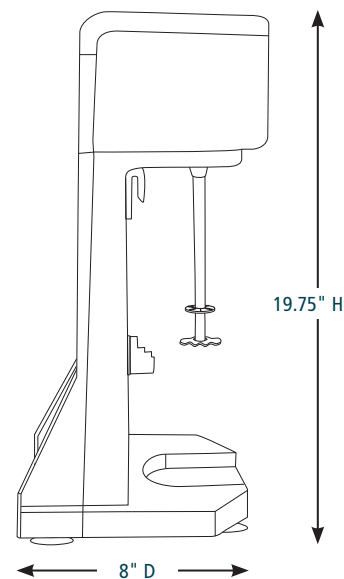
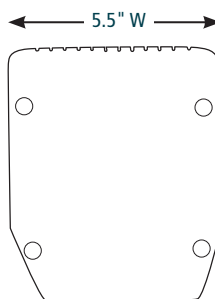
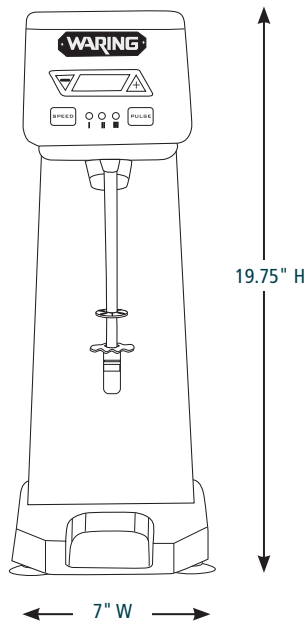


CAC112 Solid Agitator (6 pack)



CAC123 Butterfly Agitator (6 pack)

DIMENSIONS



Out of Box Weight: 14.5 lb.

ORDERING INFORMATION	#STD. PKG.	GIFTBOX WEIGHT	CUBIC FEET	BOX DIMENSIONS L X W X H	UPC	CASE PKG.	MC WEIGHT	MC DIMENSIONS L X W X H	MBC
WDM120TX – Heavy-Duty, Single-Spindle Drink Mixer with Timer	1	17.3	1	10.23" x 9.05" x 22"	040072083327	1	18.48	11" x 9.1" x 22.8"	10040072083324



@waringcommercial

©2019 Waring Commercial
314 Ella T. Grasso Avenue, Torrington, CT 06790
Tel. 800-492-7464 • Fax 860-496-9008

waringcommercialproducts.com

19WC059594 / REV 04/19