

14” Stainless Steel Hand Sink

MODELS:

MRS-HS-14(W)

Standard Features

- 18 Gauge, 300 series stainless steel
- 6” Backsplash with 2” return
- Goose neck faucet with wrist blade handles included
- 1-1/2” drain opening
- 1-1/8” faucet holes on 4” centers
- 1-1/2” waste drain opening
- Strainer and faucet included
- Z-clip mounting bracket
- Easy to clean and sanitize

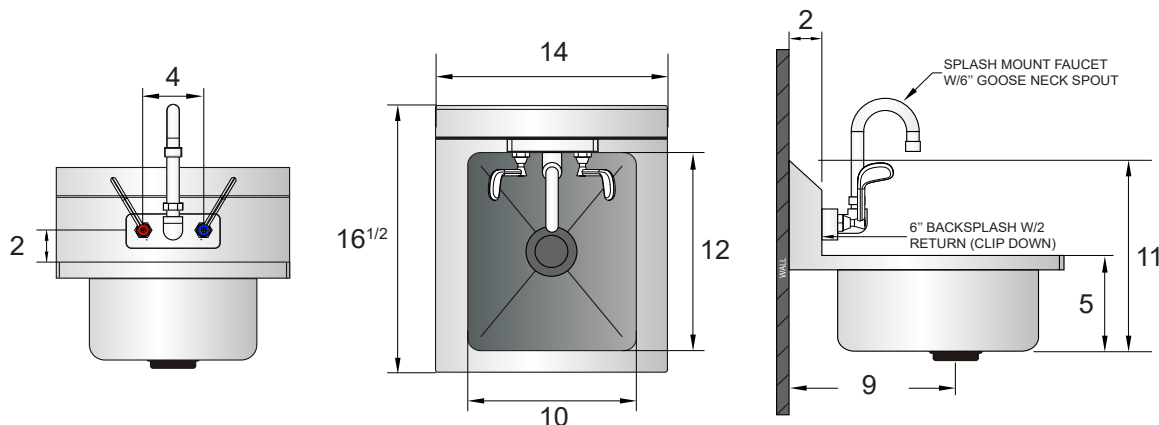


Optional Accessories

- Side splashes. Item#: MRS-HS-14SP

Model	Ga.	Bowl Size(mm)	Exterior Dimensions(mm)	Net Weight(kg)
MRS-HS-14(W)	18	10 × 12 × 5	14 × 16 ^{1/2} × 11	12

PLAN VIEW



90 DAYS WARRANTY ON WORKMANSHIP

