

9" ADJUSTABLE HEIGHT PLATE CASTERS

MODEL: _____ PROJECT: _____ ITEM #: _____ QTY: _____

PRODUCT IMAGE

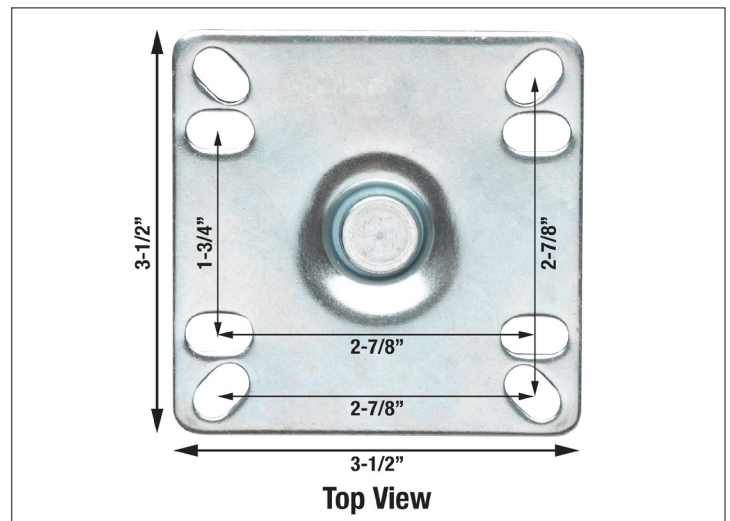


28-117S SHOWN

STANDARD FEATURES

- 3 1/2" x 3 1/2" plate
- 8 1/2" to 10 1/2" height adjustment
- 3" grease resistant wheels with brakes
- Set of 4 per box
- Quantity per case: 6

HOLE CENTERS



SPECIFICATIONS

Model Number	Hole Centers	Weight/Set of 4 (lbs.)	Load Capacity per Caster (lbs.)	Temp Range	Wheel Size
28-117S	2 7/8" Outer 1 3/4" Inner	13	160	14°F to 212°F	3" with Brake

APPROVED BY:

CERTIFICATIONS:

Due to our commitment to continued product improvement, specifications are subject to change without notice.