

RFF-1300 Flake Ice Machine

Model

RFF-1300A

RFF-1300W



Model RFF-1300A
Flake Ice Machine
on D-570* Bin

*D-bin available in January 2018

Standard Features

- Up to 1,365 lbs. (619 kgs) daily flake ice production.
- Energy improvements averaging 10% and ice production improvements averaging 5% over previous model .
- High load maintenance free bearings for enhanced reliability.
- Service updates facilitate installation and make cleaning easier.
- Flake Ice is perfect for food display, salad bars, and cold therapy/healthcare.
- Ice forms around object without bruising and holds objects in place without tipping/spilling.
- Heavy duty stainless steel cabinet resists corrosion.



Specifications

Condenser Heat of Rejections (BTU per hour):
Air: 14,000 (average)
Water: 1,500 (average)

Compressor:
Nominal rating: 1.5 HP

Refrigerant:
R-404A

Ice Machine Electric
208-230/60/1 standard.
(230/50/1 also available.)

Minimum circuit ampacity:
15 amps.

Maximum fuse size:
15 amps.

HACR-type circuit breakers can be used in place of fuses.

Operating Limits:

- Ambient Temperature Range:
Air- and Water-cooled:
50°-110°F (10°-43° C)
- Water Temperature Range:
37°-90°F (3°-32° C)
- Water Pressure Ice Maker
Water In:
Min. 14 psi (96.5 kPa)
Max. 80 psi (551.1 kPa)
- Condenser Inlet Water In:
(water-cooled only)
Min 20 psi (137.9 kPa)
Max 150 psi (1034.2 kPa)
Water Condenser not for sea water applications.

Ice Shape

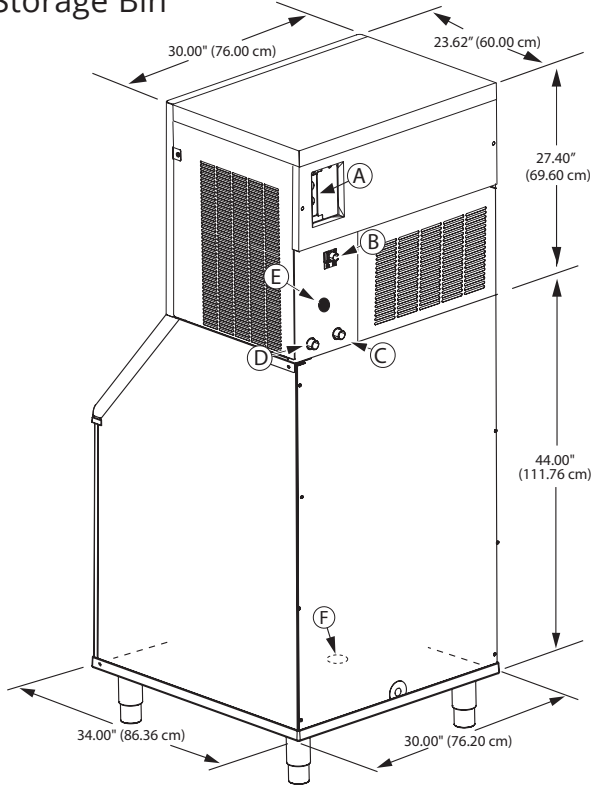
Flake ice is small hard bits of ice ideally suited for presentation applications.





RFF-1300 Flake Ice Machine

RFF-1300 on D-570* Storage Bin



Installation Note -
Minimum installation
clearance:
Top/sides: 8" (20.32 cm),
Back: 5" (12.70 cm).

- (A) Electrical Entrance (2) Options
- Air-Cooled Units:**
- (B) 3/8" F.P.T. Ice Making Water Inlet
- (C) 1/2" M.P.T. Ice Making Water Drain
- Water-Cooled Unit Option:**
- (B) 3/8" F.P.T. Condenser Inlet
- (C) 1/2" M.P.T. Condenser Drain
- (D) 1/2" M.P.T. Ice Making Water Drain
- (E) 3/8" F.P.T. Ice Making Water Inlet
- (F) 3/4" F.P.T. Bin Drain

Space-Saving Design

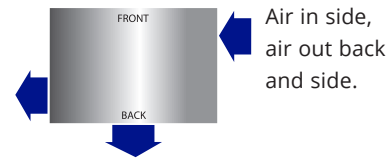


RFF-1300 on D-570*	
Height	77.40" 196.60 cm
Width	30.00" 76.00 cm
Depth	34.00" 86.36 cm
Bin Storage	430 lbs. 195 kgs
<i>Height includes adjustable bin legs 6.00" to 7.00"; (15.24 to 17.78 cm) set at 6.00" (15.24 cm).</i>	

Accessories

K-00370 48" B Style Bin Adapter
*Adapter not for use with Large Capacity
Bins.*

Air Flow Overhead View



	Model	Ice Shape	Ice Production 24 Hrs.		Power kWh/100 lbs. 90°/70°F 32° Air/21° C Water	Water Usage (100 lbs./45.4 kgs of Ice)	
			70° Air/50°F Water 21° Air/10° C Water	90° Air/70°F Water 32° Air/21° C Water		Potable Water	Condenser Water
Air-Cooled	RFF-1300A	Flake	1,264 lbs.	951 lbs.	4.24	12 gal.	N/A
			573 kgs	431 kgs		45.4 L	N/A
Water-Cooled	RFF-1300W	Flake	1,365 lbs.	1,116 lbs.	3.12	12 gal.	116 gal.
			619 kgs	506 kgs		45.4 L	439 L

Manitowoc Ice reserves the right to make changes to the design or specifications without prior notice.